

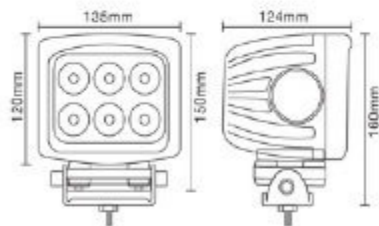
Hauptkatalog LED Scheinwerfer 2014 inkl. Preisliste 2014

**KFZ Service Fenzl
KSR Vertragshändler
Inh. Stephan Fenzl
Im Dorf 18a
94051 Hauzenberg
Deutschland**

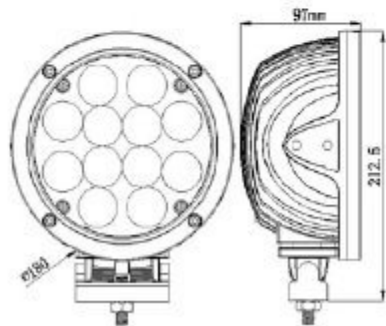
www.kfz-service-fenzl.de

Email: info@kfz-service-fenzl.de

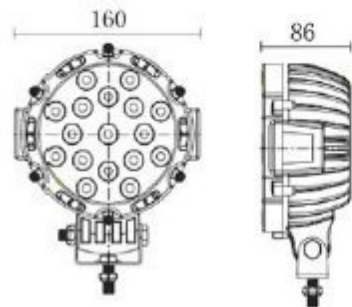
Tel.: 0151/ 55949309



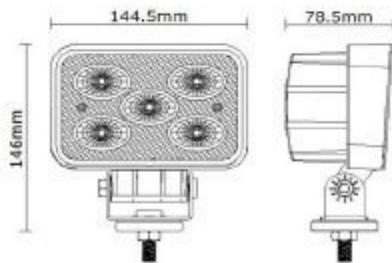
Model No	LW-LWL-60W
LED Power	60W
Operating Voltage	10-30V DC
Waterproof rate	IP 67
LED numbers	6pcs*10w high intensity CREE LEDs
Optional Color	Black,White
Color Temperature	6000K
Material	Diecast aluminum housing
Lens material	PC
Mounting Bracket	Stainless Steel
Opitonal Beam	Spot/Flood
Life Span	30000 hours above life time



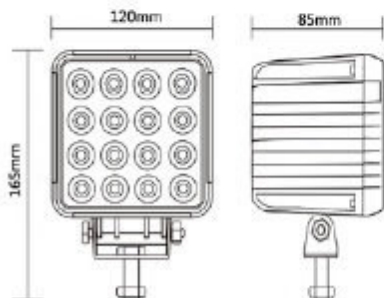
Model No	LW-LWL-60WB
LED Power	60W
Operating Voltage	9-80V DC
Waterproof rate	IP 67
LED numbers	12pcs*5w high intensity CREE LEDs
Optional Color	Black,White
Color Temperature	6000K
Material	Diecast aluminum housing
Lens material	PC
Mounting Bracket	Stainless Steel
Optional Beam	10degree Spot/45degree Flood
Life Span	30000 hours above life time



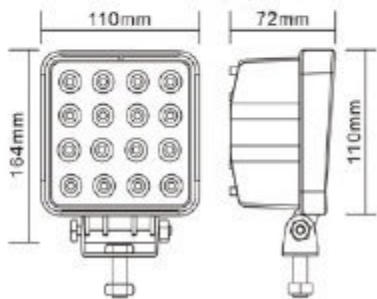
Model No	LW-LWL-51W
LED Power	51W
Operating Voltage	10-30V DC
Waterproof rate	IP 67
LED numbers	17pcs*3w high intensity Epsitar LEDs
Optional Color	Black,White
Color Temperature	6500K
Material	Diecast aluminum housing
Lens material	PMMA
Mounting Bracket	Stainless Steel
Opitonal Beam	60 / 30 degree
Life Span	30000 hours above life time



Model No	LW-LWL-50W
LED Power	50W
Operating Voltage	10-30V DC
Waterproof rate	IP 67
LED numbers	5pcs*10w high intensity CREE LEDs
Optional Color	Black,White
Color Temperature	6000K
Material	Diecast aluminum housing
Lens material	PC
Mounting Bracket	Stainless Steel
Optional Beam	Flood beam pattern
Life Span	30000 hours above life time



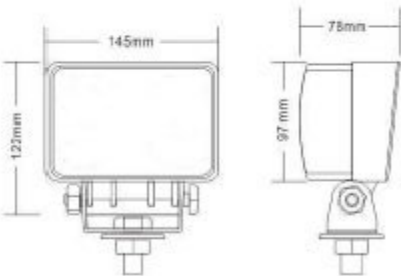
Model No	LW-LWL-48W
LED Power	48W
Operating Voltage	10-30V DC
Waterproof rate	IP 67
LED numbers	16pcs*3w high intensity CREE LEDs
Optional Color	Black, White
Color Temperature	6000K
Material	Diecast aluminum housing
Lens material	PMMA
Mounting Bracket	Stainless Steel
Optional Beam	60 / 30 degree
Life Span	30000 hours above life time

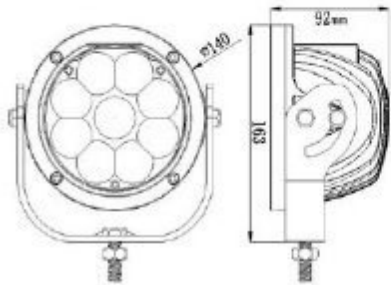


Model No	LW-LWL-48WB
LED Power	48W
Operating Voltage	10-30V DC
Waterproof rate	IP 67
LED numbers	16pcs*3w high intensity Epsitar LEDs
Optional Color	Black,White
Color Temperature	6000K
Material	Diecast aluminum housing
Lens material	PC
Mounting Bracket	Stainless Steel
Opitonal Beam	60 / 30 degree
Life Span	30000 hours above life time



Model No	LW-LWL-45W
LED Power	45W
Operating Voltage	10-30V DC
Waterproof rate	IP 67
LED numbers	15pcs*3w high intensity Epsitar LEDs
Optional Color	Black,White
Color Temperature	6000K
Material	Diecast aluminum housing
Lens material	PMMA
Mounting Bracket	Stainless Steel
Opitonal Beam	60 / 30 degree
Life Span	30000 hours above life time





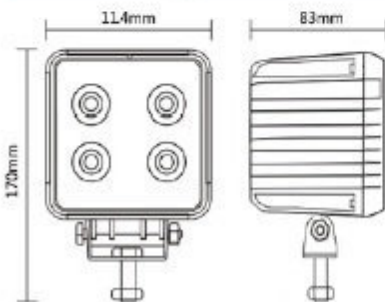
Model No	LW-LWL-45WB
LED Power	45W
Operating Voltage	9-80V DC
Waterproof rate	IP 67
LED numbers	9pcs*5w high intensity CREE LEDs
Optional Color	Black,White
Color Temperature	6000K
Material	Diecast aluminum housing
Lens material	PC
Mounting Bracket	Stainless Steel
Optional Beam	10degree Spot/45degree Flood
Life Span	30000 hours above life time

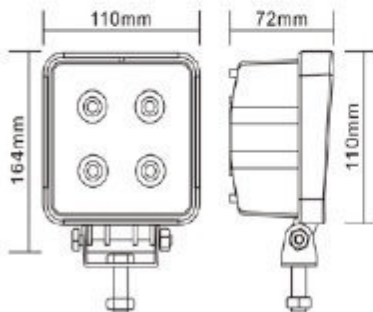


Model No	LW-LWL-42W
LED Power	42W
Operating Voltage	10-30V DC
Waterproof rate	IP 67
LED numbers	14pcs*3w high intensity Epsitar LEDs
Optional Color	Black, White
Color Temperature	6000K
Material	Diecast aluminum housing
Lens material	PC
Mounting Bracket	Stainless Steel
Opitonal Beam	60 / 30 degree
Life Span	30000 hours above life time

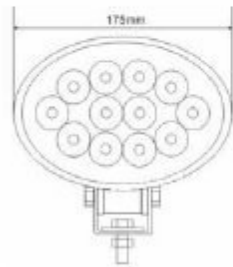


Model No	LW-LWL-40W
LED Power	40W
Operating Voltage	10-30V DC
Waterproof rate	IP 67
LED numbers	4pcs*10w high intensity CREE LEDs
Optional Color	Black,White
Color Temperature	6000K
Material	Diecast aluminum housing
Lens material	PMMA
Mounting Bracket	Stainless Steel
Opitonal Beam	60 / 30 degree
Life Span	30000 hours above life time

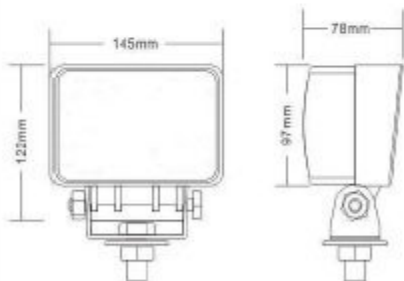




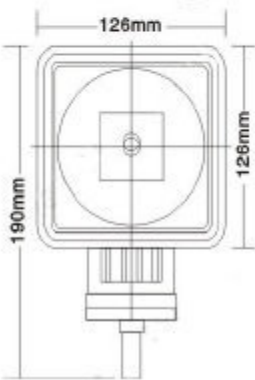
Model No	LW-LWL-40WB
LED Power	40W
Operating Voltage	10-30V DC
Waterproof rate	IP 67
LED numbers	4pcs*10w high intensity CREE LEDs
Optional Color	Black,White
Color Temperature	6000K
Material	Diecast aluminum housing
Lens material	PC
Mounting Bracket	Stainless Steel
Optional Beam	25 / 40 degree
Life Span	30000 hours above life time



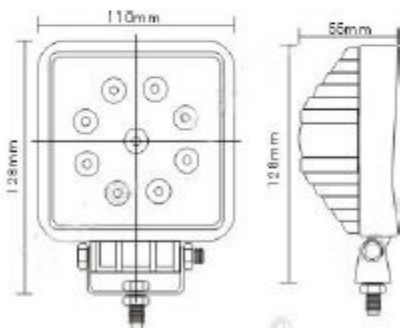
Model No	LW-LWL-36W
LED Power	36W
Operating Voltage	10-30V DC
Waterproof rate	IP 67
LED numbers	12pcs*3w high intensity CREE LEDs
Optional Color	Black,White
Color Temperature	6500K
Material	Diecast aluminum housing
Lens material	PMMA
Mounting Bracket	Stainless Steel
Opitonal Beam	60 / 25 degree
Life Span	30000 hours above life time



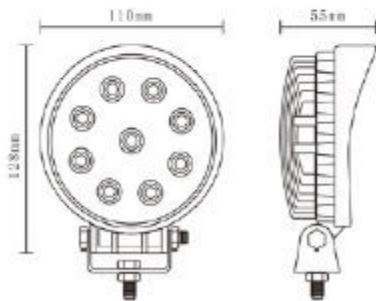
Model No	LW-LWL-33W
LED Power	33W
Operating Voltage	10-30V DC
Waterproof rate	IP 67
LED numbers	11pcs*3w high intensity Epsitar LEDs
Optional Color	Black,White
Color Temperature	6000K
Material	Diecast aluminum housing
Lens material	PMMA
Mounting Bracket	Stainless Steel
Opitonal Beam	60 / 30 degree
Life Span	30000 hours above life time



Model No	LW-LWL-30W
LED Power	30W
Operating Voltage	10-30V DC
Waterproof rate	IP 68
LED numbers	30pcs*1w high intensity LEDs
Optional Color	Black,White
Color Temperature	6000K
Material	Diecast aluminum housing
Lens material	PC
Mounting Bracket	Stainless Steel
Opitonal Beam	160 degree
Life Span	30000 hours above life time



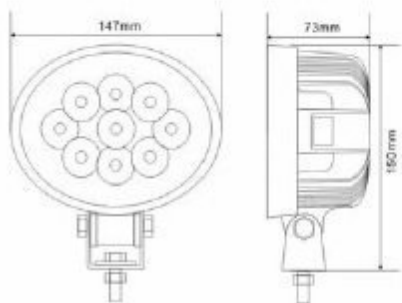
Model No	LW-LWL-27W
LED Power	27W
Operating Voltage	10-30V DC
Waterproof rate	IP 67
LED numbers	9pcs*3w high intensity Epsitar LEDs
Optional Color	Black,White
Color Temperature	6500K
Material	Diecast aluminum housing
Lens material	PMMA
Mounting Bracket	Stainless Steel
Opitonal Beam	60 / 30 degree
Life Span	30000 hours above life time

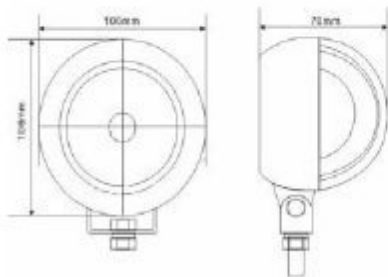


Model No	LW-LWL-27WB
LED Power	27W
Operating Voltage	10-30V DC
Waterproof rate	IP 67
LED numbers	9pcs*3w high intensity Epsitar LEDs
Optional Color	Black,White
Color Temperature	6500K
Material	Diecast aluminum housing
Lens material	PMMA
Mounting Bracket	Stainless Steel
Opitonal Beam	60 / 30 degree
Life Span	30000 hours above life time

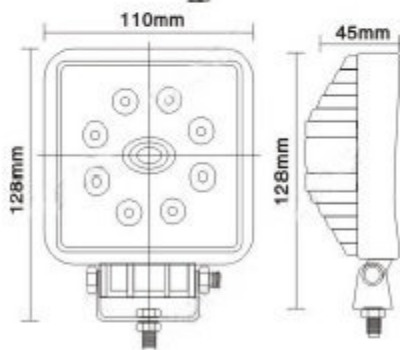


Model No	LW-LWL-27WC
LED Power	27W
Operating Voltage	10-30V DC
Waterproof rate	IP 67
LED numbers	9pcs*3w high intensity CREE LEDs
Optional Color	Black,White
Color Temperature	6500K
Material	Diecast aluminum housing
Lens material	PMMA
Mounting Bracket	Stainless Steel
Opitonal Beam	60 / 15 degree
Life Span	30000 hours above life time

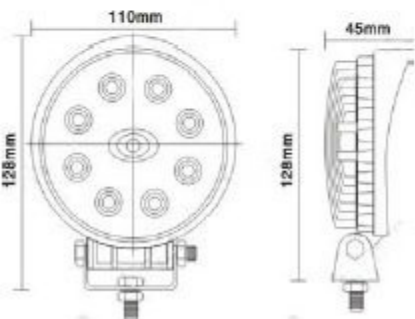




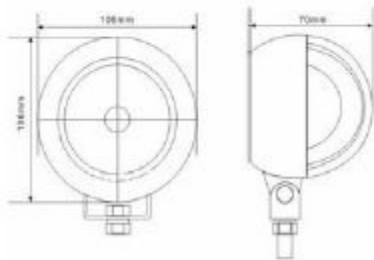
Model No	LW-LWL-25W
LED Power	25W
Operating Voltage	10-60V DC
Waterproof rate	IP 67
LED numbers	1pcs*25w high intensity CREE LEDs
Optional Color	Black,White
Color Temperature	6500K
Material	Diecast aluminum housing
Lens material	PMMA
Mounting Bracket	Stainless Steel
Optional Beam	60 / 15 degree
Life Span	30000 hours above life time



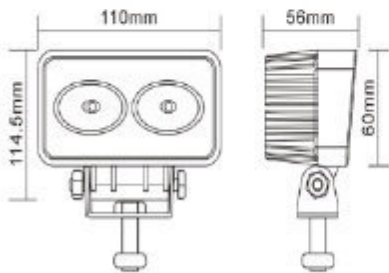
Model No	LW-LWL-24W
LED Power	24W
Operating Voltage	10-30V DC
Waterproof rate	IP 67
LED numbers	8pcs*3w high intensity Epsitar LEDs
Optional Color	Black,White
Color Temperature	6500K
Material	Diecast aluminum housing
Lens material	PMMA
Mounting Bracket	Stainless Steel
Opitonal Beam	60 / 30 degree
Life Span	30000 hours above life time



Model No	LW-LWL-24WB
LED Power	24W
Operating Voltage	10-30V DC
Waterproof rate	IP 67
LED numbers	8pcs*3w high intensity Epsitar LEDs
Optional Color	Black,White
Color Temperature	6500K
Material	Diecast aluminum housing
Lens material	PMMA
Mounting Bracket	Stainless Steel
Opitonal Beam	60 / 30 degree
Life Span	30000 hours above life time



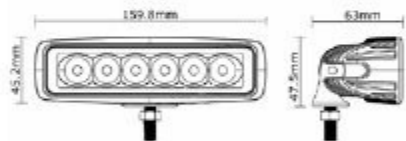
Model No	LW-LWL-20W
LED Power	20W
Operating Voltage	10-60V DC
Waterproof rate	IP 67
LED numbers	1pcs*20w high intensity CREE LEDs
Optional Color	Black,White
Color Temperature	6500K
Material	Diecast aluminum housing
Lens material	PMMA
Mounting Bracket	Stainless Steel
Opitonal Beam	60 / 15 degree
Life Span	30000 hours above life time

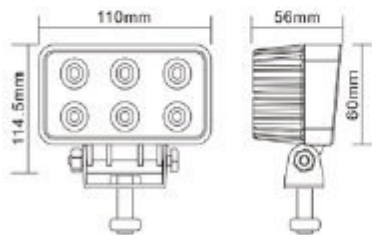


Model No	LW-LWL-20WB
LED Power	20W
Operating Voltage	10-30V DC
Waterproof rate	IP 67
LED numbers	2pcs*10w high intensity CREE LEDs
Optional Color	Black,White
Color Temperature	6000K
Material	Diecast aluminum housing
Lens material	PC
Mounting Bracket	Stainless Steel
Opitonal Beam	90 degree
Life Span	30000 hours above life time

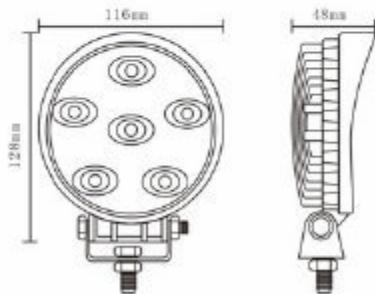


Model No	LW-LWL-18W
LED Power	18W
Operating Voltage	10-30V DC
Waterproof rate	IP 67
LED numbers	6pcs*3w high intensity Epsitar LEDs
Optional Color	Black,White
Color Temperature	6500K
Material	Diecast aluminum housing
Lens material	PMMA
Mounting Bracket	Stainless Steel
Opitonal Beam	60 / 10 degree
Life Span	30000 hours above life time





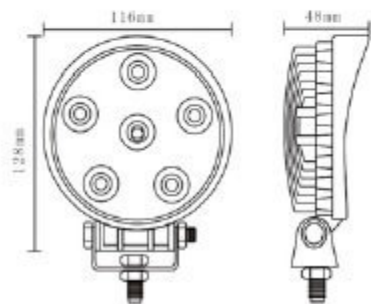
Model No	LW-LWL-18WB
LED Power	18W
Operating Voltage	10-30V DC
Waterproof rate	IP 67
LED numbers	6pcs*3w high intensity Epsitar LEDs
Optional Color	Black,White
Color Temperature	6000K
Material	Diecast aluminum housing
Lens material	PMMA
Mounting Bracket	Stainless Steel
Optional Beam	60 / 30 degree
Life Span	30000 hours above life time



Model No	LW-LWL-18WC
LED Power	18W
Operating Voltage	10-30V DC
Waterproof rate	IP 67
LED numbers	6pcs*3w high intensity Epsitar LEDs
Optional Color	Black,White
Color Temperature	6000K
Material	Diecast aluminum housing
Lens material	PMMA
Mounting Bracket	Stainless Steel
Opitonal Beam	60 degree
Life Span	30000 hours above life time

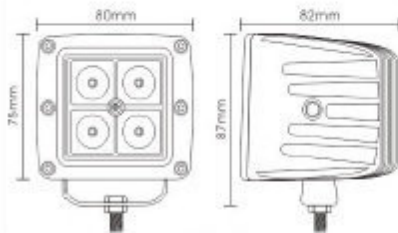


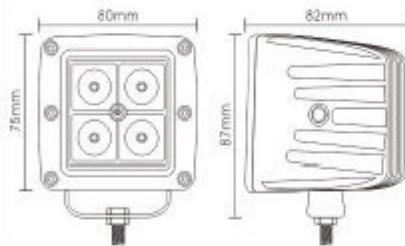
Model No	LW-LWL-18WD
LED Power	18W
Operating Voltage	10-30V DC
Waterproof rate	IP 67
LED numbers	6pcs*3w high intensity Epsitar LEDs
Optional Color	Black,White
Color Temperature	6000K
Material	Diecast aluminum housing
Lens material	PMMA
Mounting Bracket	Stainless Steel
Opitonal Beam	30 degree
Life Span	30000 hours above life time



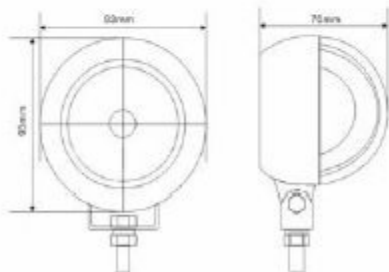


Model No	LW-LWL-18WE
LED Power	18W
Operating Voltage	10-30V DC
Waterproof rate	IP 67
LED numbers	6pcs*3w high intensity CREE LEDs
Optional Color	Black,White
Color Temperature	6000K
Material	Diecast aluminum housing
Lens material	PMMA
Mounting Bracket	Stainless Steel
Optional Beam	spot beam
Life Span	30000 hours above life time





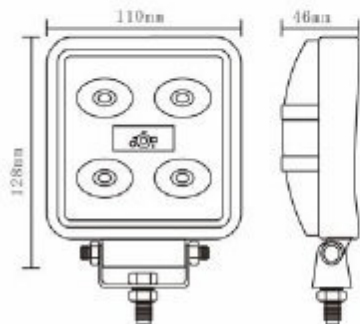
Model No	LW-LWL-16W
LED Power	16W
Operating Voltage	10-30V DC
Waterproof rate	IP 67
LED numbers	4pcs*4w high intensity CREE LEDs
Optional Color	Black,White
Color Temperature	6000K
Material	Diecast aluminum housing
Lens material	PMMA
Mounting Bracket	Stainless Steel
Opitonal Beam	spot beam
Life Span	30000 hours above life time



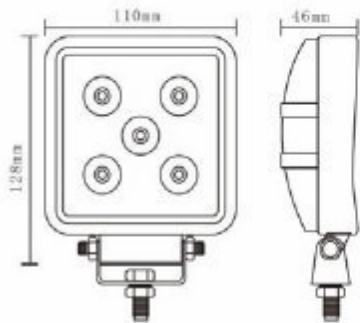
Model No	LW-LWL-15W
LED Power	15W
Operating Voltage	10-60V DC
Waterproof rate	IP 67
LED numbers	1pcs*15w high intensity CREE LEDs
Optional Color	Black,White
Color Temperature	6500K
Material	Diecast aluminum housing
Lens material	PMMA
Mounting Bracket	Stainless Steel
Opitonal Beam	60 / 15 degree
Life Span	30000 hours above life time



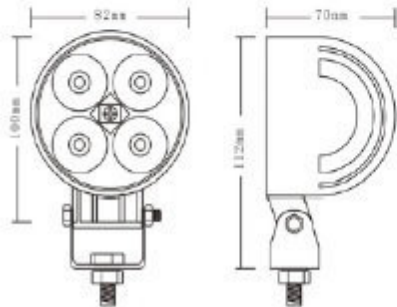
Model No	LW-LWL-15WB
LED Power	15W
Operating Voltage	10-30V DC
Waterproof rate	IP 67
LED numbers	5pcs*3w high intensity Epsitar LEDs
Optional Color	Black,White
Color Temperature	6500K
Material	Diecast aluminum housing
Lens material	PMMA
Mounting Bracket	Stainless Steel
Opitonal Beam	60 / 30 degree
Life Span	30000 hours above life time



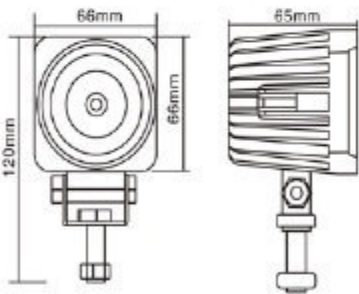
Model No	LW-LWL-15WC
LED Power	15W
Operating Voltage	10-30V DC
Waterproof rate	IP 67
LED numbers	5pcs*3w high intensity Epsitar LEDs
Optional Color	Black,White
Color Temperature	6000K
Material	Diecast aluminum housing
Lens material	PMMA
Mounting Bracket	Stainless Steel
Opitonal Beam	60 degree
Life Span	30000 hours above life time



Model No	LW-LWL-15D
LED Power	15W
Operating Voltage	10-30V DC
Waterproof rate	IP 67
LED numbers	5pcs*3w high intensity Epsitar LEDs
Optional Color	Black,White
Color Temperature	6000K
Material	Diecast aluminum housing
Lens material	PMMA
Mounting Bracket	Stainless Steel
Opitonal Beam	30 degree
Life Span	30000 hours above life time



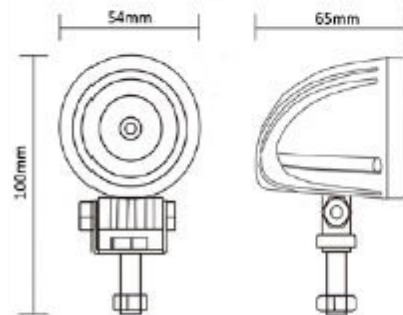
Model No	LW-LWL-12W
LED Power	12W
Operating Voltage	10-30V DC
Waterproof rate	IP 67
LED numbers	4pcs*3w high intensity Epsitar LEDs
Optional Color	Black,White
Color Temperature	6500K
Material	Diecast aluminum housing
Lens material	PMMA
Mounting Bracket	Stainless Steel
Opitonal Beam	60 degree
Life Span	30000 hours above life time

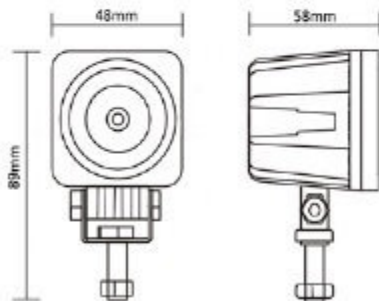


Model No	LW-LWL-10W
LED Power	10W
Operating Voltage	10-30V DC
Waterproof rate	IP 67
LED numbers	1pcs*10w high intensity CREE LED
Optional Color	6000K
Color Temperature	Diecast aluminum housing
Material	
Lens material	Toughed glass
Mounting Bracket	Stainless Steel
Opitonal Beam	40 / 8 degree
Life Span	30000 hours above life time.
Certificates	CE、RoHs、IP67



Model No	LW-LWL-10WB
LED Power	10W
Operating Voltage	10-30V DC
Waterproof rate	IP 67
LED numbers	1pcs*10w high intensity CREE LEDs
Optional Color	Black,White
Color Temperature	6500K
Material	Diecast aluminum housing
Lens material	PMMA
Mounting Bracket	Stainless Steel
Opitonal Beam	60 / 10 degree
Life Span	30000 hours above life time

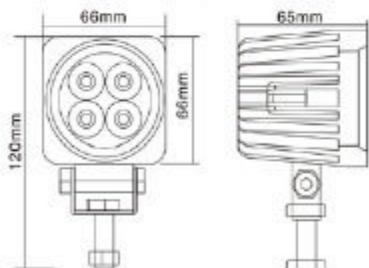


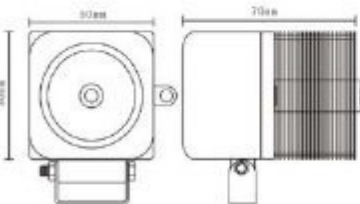


Model No	LW-LWL-10WC
LED Power	10W
Operating Voltage	10-30V DC
Waterproof rate	IP 67
LED numbers	1pcs*10w high intensity CREE LEDs
Optional Color	Black,White
Color Temperature	6500K
Material	Diecast aluminum housing
Lens material	PMMA
Mounting Bracket	Stainless Steel
Opitonal Beam	60 / 10 degree
Life Span	30000 hours above life time

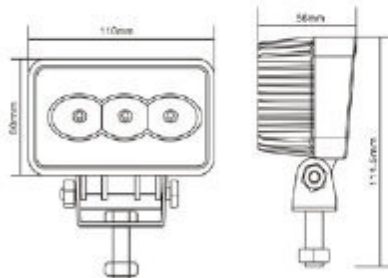


Model No	LW-LWL-10WD
LED Power	10W
Operating Voltage	10-30V DC
Waterproof rate	IP 67
LED numbers	4pcs*3w high intensity Epsitar LEDs
Optional Color	Black, White
Color Temperature	6000K
Material	Diecast aluminum housing
Lens material	Toughed glass
Mounting Bracket	Stainless Steel
Opitonal Beam	60 / 20 degree
Life Span	30000 hours above life time





Model No	LW-LWL-10WF
LED Power	10W
Operating Voltage	10-30V DC
Waterproof rate	IP 67
LED numbers	1pcs*10w high intensity CREE LEDs
Optional Color	Black,White
Color Temperature	6000K
Material	Diecast aluminum housing
Lens material	PMMA
Mounting Bracket	Stainless Steel
Optional Beam	45 / 8 degree
Life Span	30000 hours above life time



Model No	LW-LWL-9W
LED Power	9W
Operating Voltage	10-30V DC
Waterproof rate	IP 67
LED numbers	3pcs*3w high intensity Epsitar LEDs
Optional Color	Black,White
Color Temperature	6000K
Material	Diecast aluminum housing
Lens material	PC
Mounting Bracket	Stainless Steel
Opitonal Beam	90 degree
Life Span	30000 hours above life time

KFZ Service Fenzl
Preisliste LED Scheinwerfer

Model	Preis inkl. Mwst
LW-LWL-60W	100,00 €
LW-LWL-60WB	123,00 €
LW-LWL-51W	73,00 €
LW-LWL-50W	79,00 €
LW-LWL-48W	69,00 €
LW-LWL-48WB	46,00 €
LW-LWL-45W	53,00 €
LW-LWL-45WB	94,00 €
LW-LWL-42W	44,00 €
LW-LWL-40W	66,00 €
LW-LWL-40WB	60,00 €
LW-LWL-36W	52,00 €
LW-LWL-33W	47,00 €
LW-LWL-30W	68,00 €
LW-LWL-27W	23,00 €
LW-LWL-27WB	23,00 €
LW-LWL-27WC	46,00 €

KFZ Service Fenzi
Preisliste LED Scheinwerfer

Model	Preis inkl. Mwst
LW-LWL-25W	56,00 €
LW-LWL-24W	21,00 €
LW-LWL-24WB	21,00 €
LW-LWL-20W	50,00 €
LW-LWL-20WB	36,00 €
LW-LWL-18W	24,00 €
LW-LWL-18WB	27,00 €
LW-LWL-18WC	19,00 €
LW-LWL-18WD	20,00 €
LW-LWL-18WE	33,00 €
LW-LWL-16W	29,00 €
LW-LWL-15W	41,00 €
LW-LWL-15WB	23,00 €
LW-LWL-15WC	19,00 €
LW-LWL-15D	20,00 €
LW-LWL-12W	21,00 €
LW-LWL-10W	27,00 €

KFZ Service Fenzl
Preisliste LED Scheinwerfer

Model	Preis inkl. Mwst
LW-LWL-10WB	27,00 €
LW-LWL-10WC	27,00 €
LW-LWL-10WD	24,00 €
LW-LWL-10WF	35,00 €
LW-LWL-9W	23,00 €